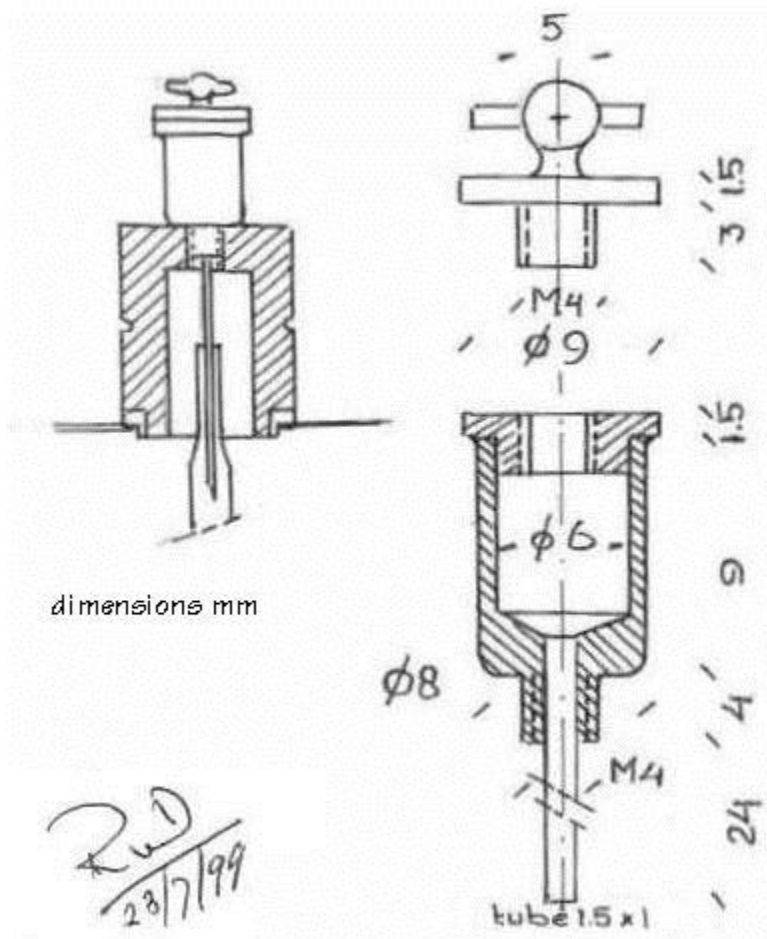


# Cylinder Lubricator for Mamod (by Rob van Dort)

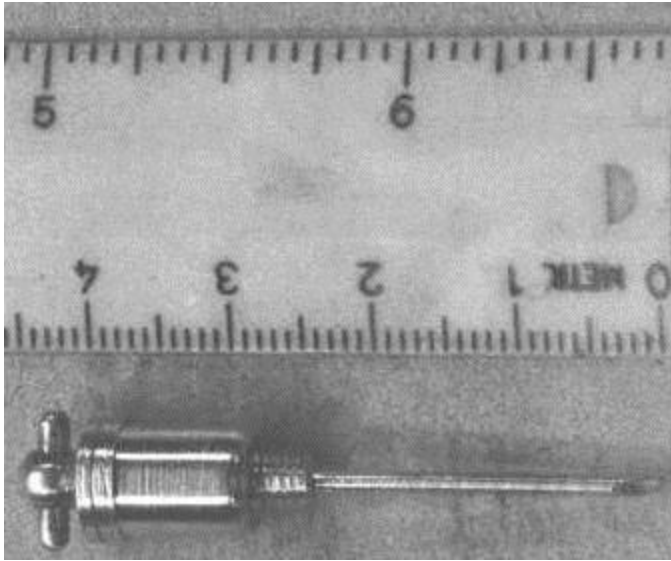
If you do not have cylinder lubrication on your Mamod here is a simple solution which I have been using for years with complete satisfaction.



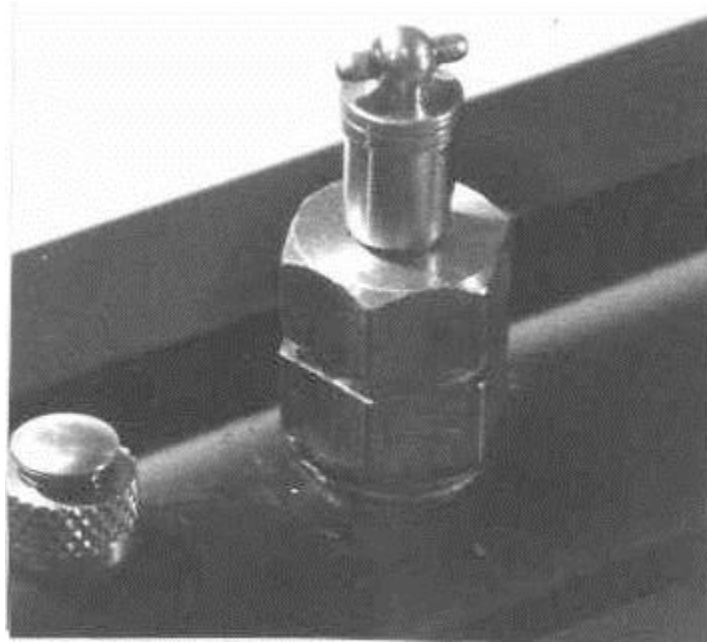
## Notes:

- Drill and tap M4 in the centre of the dome bush.
- Make the oil reservoir as shown. Instead of the 1.5 x 1 tube, a hypodermic needle can be used
- Screw the reservoir in the hole in the dome bush with the needle in the steam pipe. Don't forget the fibre washer
- I insulated the steam pipe where it passes through the firebox as I was afraid the oil in it would burn but in view of the experiences with Roundhouse where the steam pipe with oil passes through the flames this was probably not necessary
- Drill an 8mm hole in the top of the dome and remove the circular retaining spring. The dome cannot fall off as it is held in place by the oil reservoir
- One thing you have to remember, if you move the engine by hand: only move it in the direction for which the reversing valve is set. I.e. with the reversing valve set for forward motion, push the loco FORWARDS only. Oil will then be drawn towards the cylinders. Contrary motion will tend to pump oil into the boiler. With reasonable attention this need never happen. This is the only restriction on the use of the lubricator and you will be amazed at how the loco will now perform.

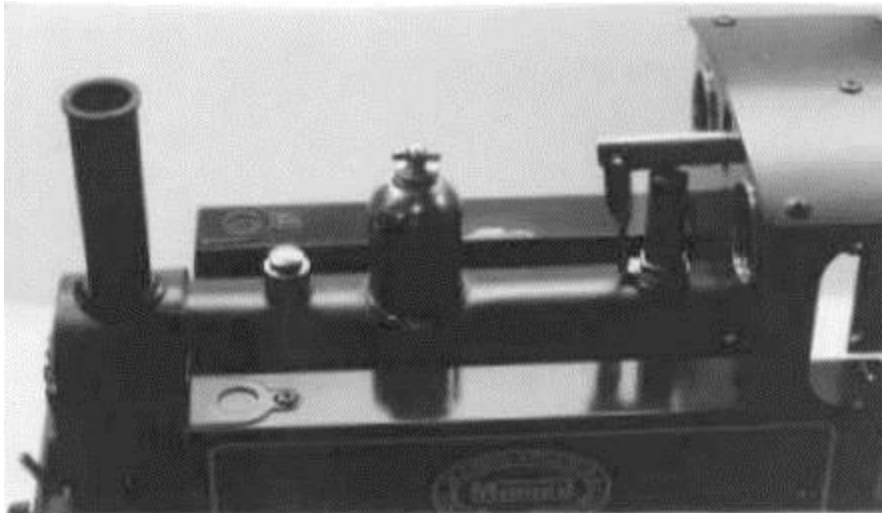
Rob van Dort, Leek, Netherlands (23/7/99).



**An idea of size**



**The lubricator in position**



**The Mamod dome is drilled out to fit over the lubricator.**